

**MULTILAYER  
GAS SYSTEM**

Revised on May 05, 2023

# CATALOGUE INDEX

---

---

## 03 ABOUT RIIFO

---

## 05 INNOVATION

---

## 05 SCALE

- 05 Facility
- 05 Capacity

---

## 06 RIIFO APPROVALS

- 06 Group Honor
- 06 Certificates

---

## 07 PROJECT REFERENCE

---

## 13 GAS PIPING SYSTEM

---

## 14 MULTILAYER PIPES FOR GAS

- 14 Multilayer Pipes For Gas
- 14 Advantages

---

## 15 PRESS FITTING-F5

- 15 Technical Data
- 15 Standard
- 15 Certificates
- 16 Composition
- 16 Advantages

---

## 17 COMPRESSION FITTING-F1

- 17 Technical Data
- 17 Standard
- 17 Certificates
- 18 Composition
- 18 Advantages

---

## 19 SPECIFICATIONS

- 20 Pipes
- 20 Press Fitting-F5
- 27 Compression Fitting-F1
- 31 Gas Valve
- 34 Accessories
- 35 Tools

---

## 38 INSTALLATION

---

## 40 ATTENTION

---

## 40 WARRANTY



## ABOUT RIIFO

---

RIIFO is a leading multinational corporation, providing one-stop piping solutions applied in residential, commercial, agricultural, industrial, and infrastructural sectors. Persistently reinventing since 1996, with over 8,000 employees, 70 branches & subsidiaries, and 300,000 distributors, we have served customers in more than 100 countries and regions.

With an integrated value chain, from R&D to manufacturing and retail distribution, we strive to fulfill our mission of offering ideal piping products and services for all environments.

**8,000**

Employees

**300,000**

Distributors worldwide

**100+**

Serving over 100 countries & regions

**70**

Branches & Subsidiaries



## INNOVATION

Believing that innovation is the key to go beyond the ordinary, RIIFO has founded world-class labs recognized and certified by CNAS. Over 600 innovation talents are sparing no effort to challenge industrial boundaries, achieving 923 patents and 20 technology awards.

And this innovative passion has translated perfectly into high-quality products and excellent service. We strive to provide ideal piping solutions for everyone.



## SCALE

We adopt highly automated production lines with the most rigorous and comprehensive production controls, and management systems in order to handle such a powerful production.

### Facility

**9**  
global production bases

**5,200+**  
production staff

**200**  
hectares area totally

**4,000+**  
automated production lines

### Capacity

#### Production Capacity

- Pipe: 3.2 billion m/yr
- Fitting: 1.3 billion pcs/yr

#### Storage Capacity

- 1,735,000 m<sup>3</sup> ≈ 61,950 TEU (20 GP Containers)

## RIIFO APPROVALS

RIIFO adhere to the concept of quality priority, all RIIFO products are produced under rigorous quality control with excelsior manufacturing. Until now, RIIFO has gained over 50 certificates, for example

- NSF (certification of public health standards, USA)
- DVGW (certification for products for water and gas, Germany)
- AENOR (standardization and quality certification for companies, Spain)
- WRAS (certification for connections against leaks, residues, good function, pollution, UK)
- WATERMARK (health and safety certification, Australia)

These certificates worldwide underline our technical and quality know-how, and we can provide you with 25 years system warranty backed up by an international insurance company.

### Group Honor



### Certificates





# PROJECT REFERENCE

# PROJECT REFERENCE



## Brisbane, Australia

Project: Infinity Tower  
Type: Commercial  
Year: 2013  
Product: Gas piping system



## Melbourne, Australia

Project: Quest Apartment  
Hotels  
Type: Hotels  
Year: 2018  
Product: Gas piping system

# PROJECT REFERENCE

## Melbourne, Australia

Project: Southbank Place  
Type: Residential  
Year: 2017  
Product: Gas piping system



## Monterrey, Mexico

Project: Torres Saqqara  
Type: Residential  
Year: 2018  
Product: Multilayer Plumbing System

## Monterrey, Mexico

Project: Torre KOI  
Type: Residential  
Year: 2017  
Product: Multilayer Plumbing System



## Sabaneta, Colombia

Project: Alameda  
Type: Residential  
Year: 2019  
Product: Gas piping system



## Sydney, Australia

Project: Superlot 11  
Type: Residential  
Year: 2018  
Product: Gas piping system  
Pex plumbing system

# PROJECT REFERENCE



## Envigado, Colombia

Project: ZU 41 21  
Type: Residential  
Product: Gas piping system



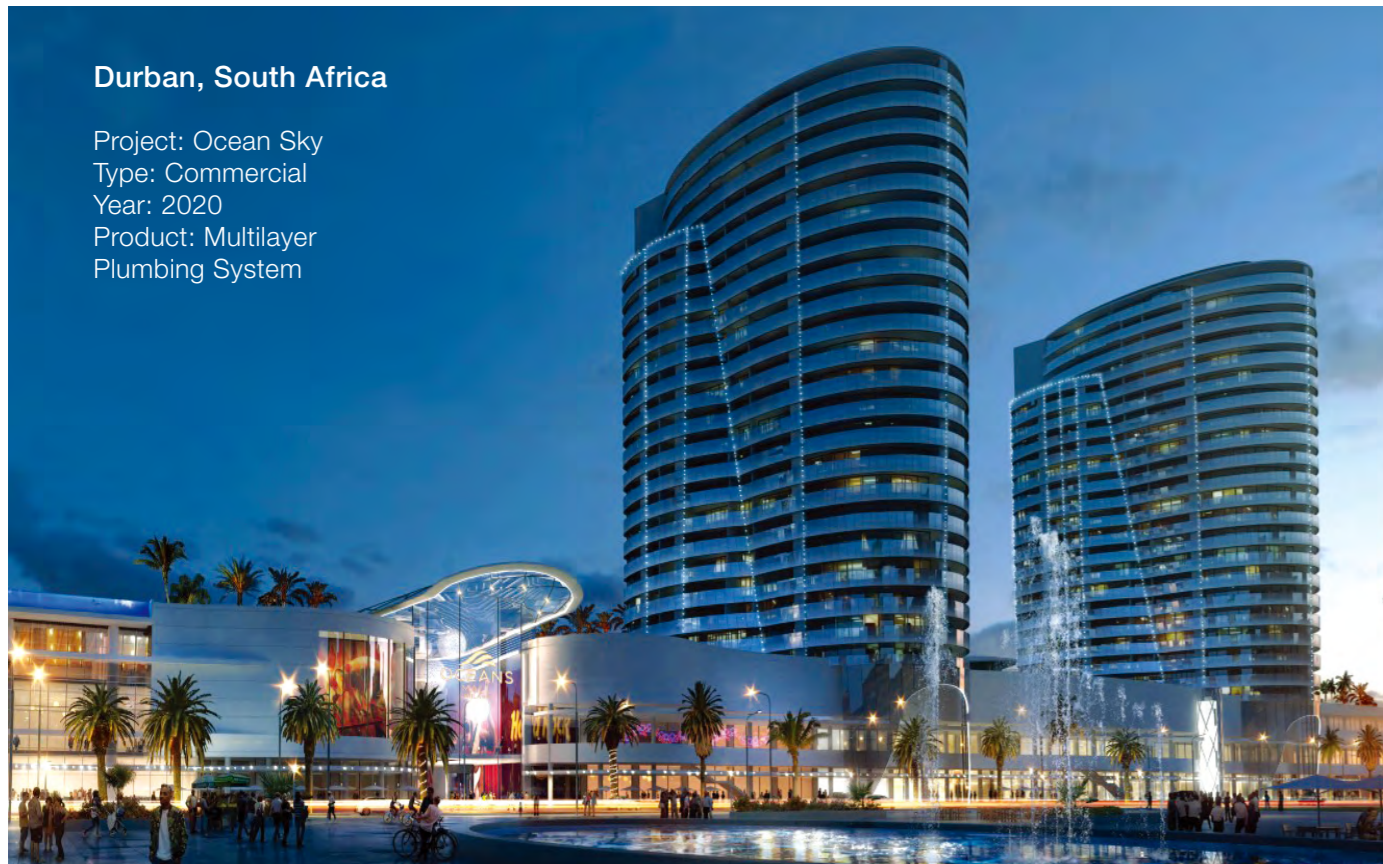
## Melbourne, Australia

Project: Pier One  
Type: Residential  
Year: 2017  
Product: Gas piping system



## Sydney, Australia

Project: Brodie Spark Drive  
Wolli Creek  
Type: Residential  
Year: 2014  
Product: Gas piping system  
PEX plumbing system



## Durban, South Africa

Project: Ocean Sky  
Type: Commercial  
Year: 2020  
Product: Multilayer  
Plumbing System



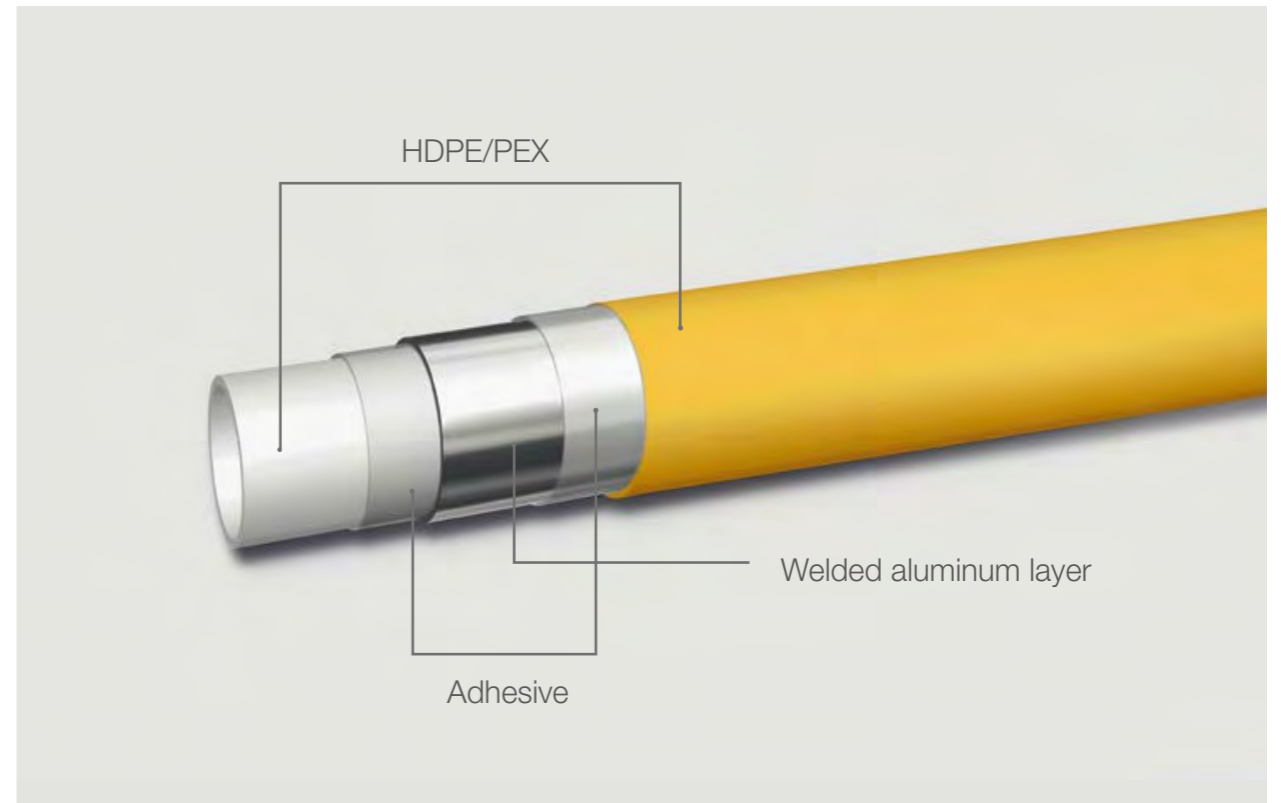
## Montevideo, Uruguay

Project: Diamantis Plaza  
Type: Residential  
Year: 2012  
Product: Gas piping system

# GAS PIPING SYSTEM



## MULTILAYER PIPES FOR GAS



### Multilayer Gas Pipe

The application of multilayer pipes is increasing year by year, not only in residential field, but also in industrial and engineering fields. Compared with traditional pipes, multilayer pipes have excellent performance in air tightness test, longer lifetime and, the most importantly, reasonable price.

The RIIFO piping system consists of multilayer pipes, fittings and brass valves. It is applicable to conduction of Natural Gas (GN) and Liquefied Petroleum Gas (LPG), offering perfect solution for the conveying of gas for residential, commercial, and industrial use.

### Advantages

-  High flexibility and inherent stability
-  Flame retardancy/ Self-extinguish ability
-  Ultraviolet resistance
-  Light in weight
-  Indelible laser printing
-  Corrosion resistant





## PRESS FITTING-F5

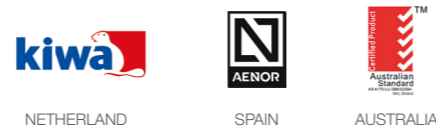
### Technical Data

Working Temperature: -20°C ~ 60°C  
 Maximum Working Pressure: 10 bar

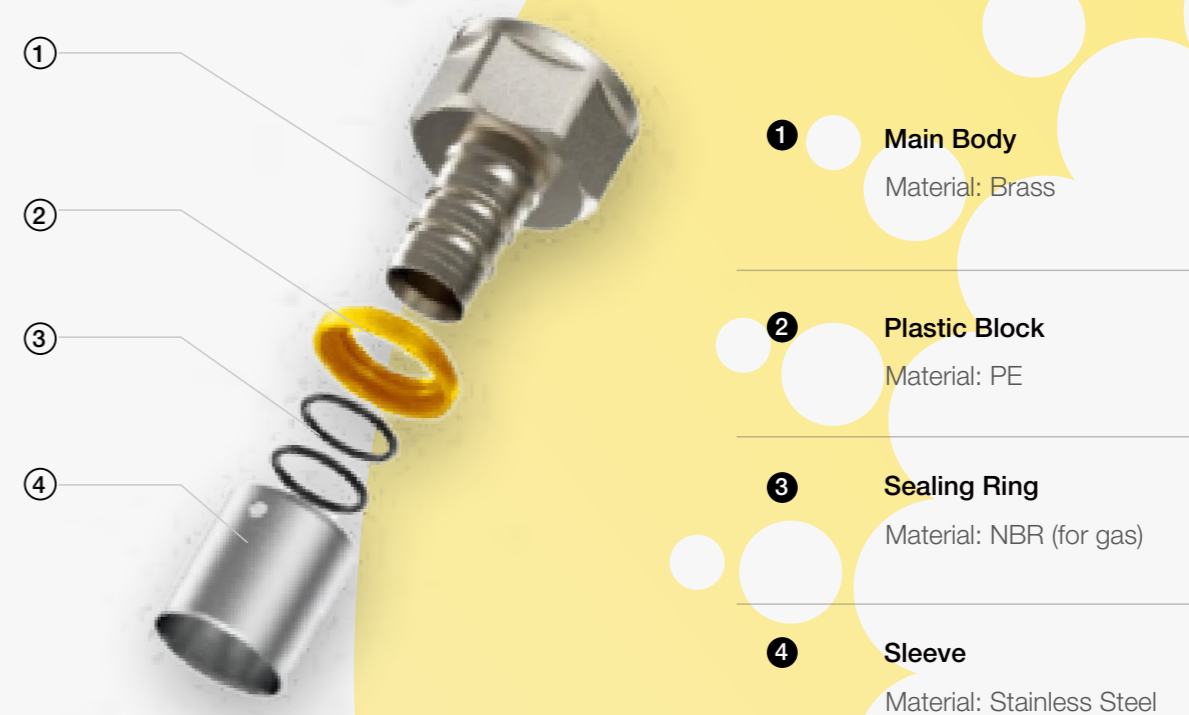
### Standard

- UNE 53008.1
- ISO 18225
- ISO 17484

### Certificates



### Composition



- 1 Main Body**  
Material: Brass
- 2 Plastic Block**  
Material: PE
- 3 Sealing Ring**  
Material: NBR (for gas)
- 4 Sleeve**  
Material: Stainless Steel

### Advantages

- U pressing profile
- Reliable and easy to install
- Nickel plated contributes to good corrosion resistance
- Excellent sealing performance with double O-ring
- The stress and risk of cracking is eliminated by the annealing process
- Machined by special horizontal machining centers, with surface finish degree of no more than Ra3.2µm



# COMPRESSION FITTING-F1

## Technical Data

Working Temperature: -20°C ~ 60°C  
Max Working Pressure: 10 bar

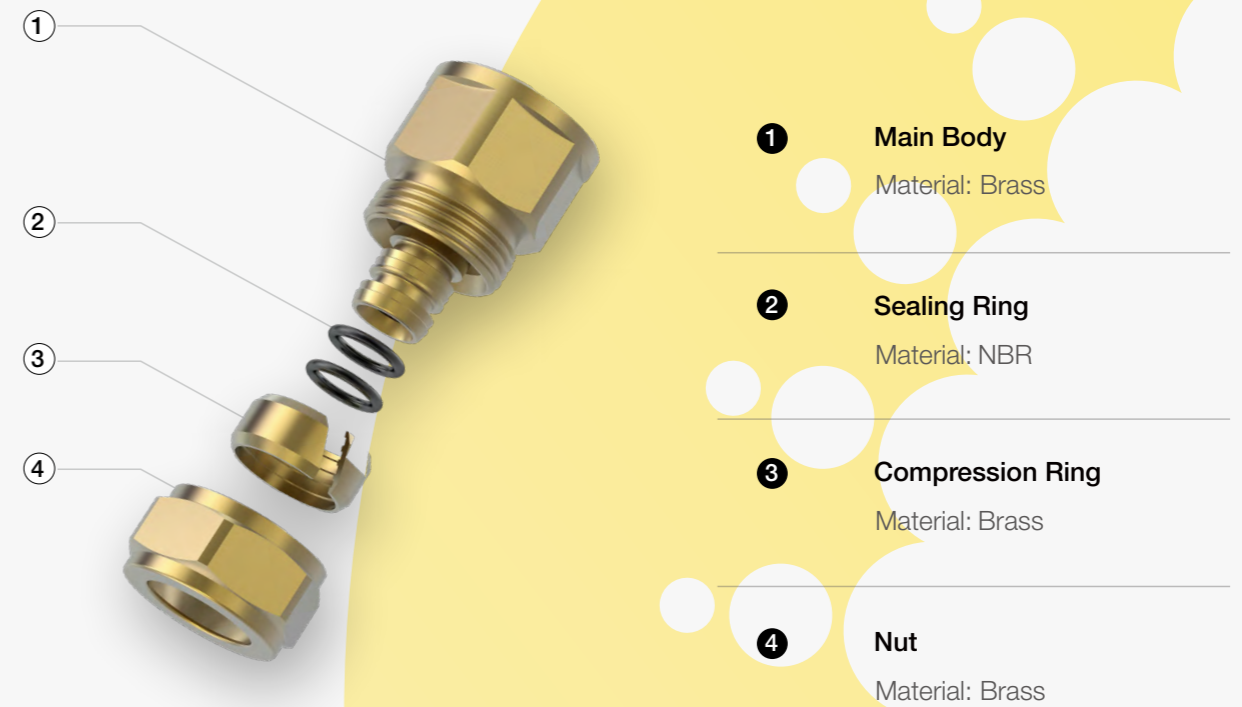
## Standard

• ISO 17484







## Certificates



## Composition



## Advantages

-  Removable and reusable
-  NBR O ring contributes to oil resistance
-  Quick and simple installation with spanner
-  The stress and risk of cracking is eliminated by the annealing process.
-  Excellent sealing performance with NBR double O-ring
-  The tensile strength is improved by 1.5 times with the runcinate shape of main body.



# SPECIFICATIONS

## Pipes

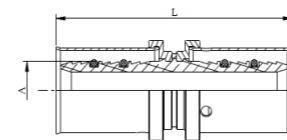
### Gas pipe PEX-AL-PEX



Code	Specif.	Packing/ctn	Color (exterior/interior)
041985a	1216	300 m	Yellow/Black
041586a	1620	200 m	Yellow/Black
041587a	2025	100 m	Yellow/Black
041984a	2632	100 m	Yellow/Black
048946a	3240	60 m	Yellow/Black

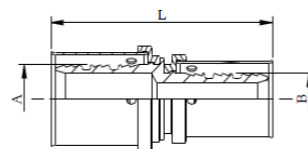
## Press Fitting-F5

### Equal straight



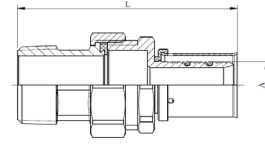
Code	Specif.	pcs/box	pcs/ctn	A	L
056047	NS 1216 X 1216	40	320	11.8	54.4
044906	NS 1620 X 1620	28	224	15.8	54.4
044907	NS 2025 X 2025	15	120	19.8	69.4
044908	NS 2632 X 2632	10	90	25.8	69.4
004507a	NS 3240 X 3240	1	45	31.8	98
039875a	NS 4150 X 4150	1	35	40.8	98
038077a	NS 5163 X 5163	1	15	50.7	143
041795a	NS 6075 X 6075	1	10	59.6	143.5

### Unequal straight union



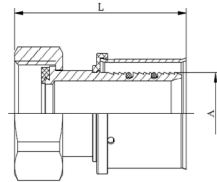
Code	Specif.	pcs/box	pcs/ctn	A1	A2	L
005670a	NS 1620 X 1216	35	280	15.8	11.8	54.4
021544a	NS 1620 X 2025	15	120	19.8	15.8	61.9
044909	NS 2025 X 1216	15	120	19.8	15.8	61.9
056050	NS 2632 X 1216	10	80	25.8	11.8	61.9
044910	NS 2632 X 1620	10	80	25.8	15.8	61.9
044911	NS 2632 X 2025	10	80	25.8	19.8	69.4
039147a	NS 4150 X 3240	1	30	40.8	31.8	98
039149a	NS 5163 X 3240	1	18	50.7	31.8	120.5
039150a	NS 5163 X 4150	1	18	50.7	40.8	120.5
038253a	NS 6075 X 3240	1	16	59.6	31.8	121
038254a	NS 6075 X 4150	1	14	59.6	40.8	121
039153a	NS 6075 X 5163	1	12	59.6	50.7	143.5

### Demountable male straight union



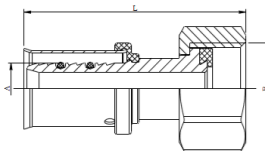
Code	Specif.	pcs/box	pcs/ctn	A	L
024523a	FNS 2025 X 1"M	8	8	19.8	90.6
028777a	FNS 3240 X 1 1/2"M	1	20	31.8	112.5
028778a	FNS 4150 X 1 1/2"M	1	16	40.8	117.5
030847a	FNS 5163 X 2"M	1	8	50.7	143

### Demountable female straight union



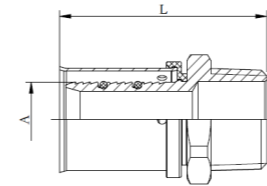
Code	Specif.	pcs/box	pcs/ctn	A	L
005084a	FNS 1620 X 1"F	1	112	15.8	54.7
044933	FNS 2632 X 1"F	1	90	25.8	62.6

### Demountable equal straight union



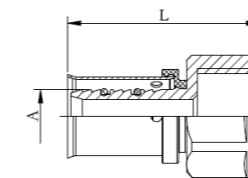
Code	Specif.	pcs/box	pcs/ctn	A	L
030953a	FNS 3240 X 3240	1	16	31.8	143
029883a	FNS 4150 X 4150	1	12	40.8	147.5
042291a	FNS 5163 X 5163	1	8	50.7	196
030955a	FNS 6075 X 6075	1	4	59.6	

### Male union



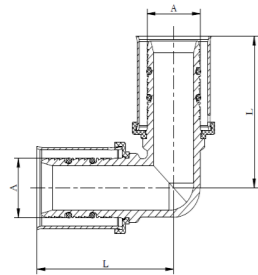
Code	Specif.	pcs/box	pcs/ctn	A	L
022404a	NS 1216 X 1/2"M	45	360	11.8	46.7
039883a	NS 1216 X 3/4"M	25	200	11.8	47.7
044912	NS 1620 X 1/2"M	35	280	15.8	46.7
005365a	NS 1620 X 3/4"M	25	200	15.8	47.7
030850a	NS 1620 X 1"M	20	160	15.8	48.7
038181a	NS 2025 X 1/2"M	15	120	19.8	54.2
044913	NS 2025 X 3/4"M	15	120	19.8	55.6
038183a	NS 2025 X 1"M	15	120	19.8	56.6
044914	NS 2632 X 3/4"M	12	96	25.8	57
044915	NS 2632 X 1"M	12	96	25.8	58
041796a	NS 2632 X 1 1/4"M	8	64	25.8	61.5
038187a	NS 2632 X 1 1/2"M	8	64	25.8	61.6
039034a	NS 3240 X 1"M	1	80	31.8	79
055364a	NS 3240 X 1 1/4"M	1	60	31.8	82
055363a	NS 3240 X 1 1/2"M	1	54	31.8	82.5
004519a	NS 4150 X 1 1/2"M	1	48	40.8	82
038191a	NS 4150 X 2"M	1	40	40.8	87
030852a	NS 5163 X 1 1/4"M	1	20	50.7	104
004520a	NS 5163 X 2"M	1	20	50.7	109.5
	NS 6075 X 1 1/2"M	1	16	59.6	91.5
041819a	NS 6075 X 2"M	1	14	59.6	109.5
041797a	NS 6075 X 2 1/2"M	1	14	59.6	113.5

### Female union



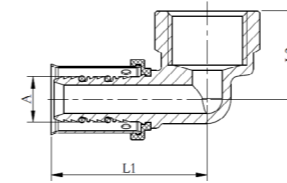
Code	Specif.	pcs/box	pcs/ctn	A	L
005559a	NS 1216 X 1/2"F	35	280	11.8	43.2
039892a	NS 1216 X 3/4"F	20	160	11.8	44.7
030855a	NS 1216 X 1"F	15	120	11.8	46.2
044916	NS 1620 X 1/2"F	30	240	15.8	43.2
044917	NS 1620 X 3/4"F	20	160	15.8	44.7
050928a	NS 1620 X 1"F	15	120	15.8	46.2
019650a	NS 2025 X 1/2"F	15	120	19.8	50.6
044918	NS 2025 X 3/4"F	15	120	19.8	52.1
005551a	NS 2025 X 1"F	12	96	19.8	53.6
044919	NS 2632 X 3/4"F	12	96	25.8	52.1
005614a	NS 2632 X 1"F	12	96	25.8	53.6
030857a	NS 3240 X 1"F	1	80	31.8	69
055361a	NS 3240 X 1 1/4"F	1	80	31.8	73
055360a	NS 3240 X 1 1/2"F	1	80	31.8	71.5
038162a	NS 4150 X 1"F	1	48	40.8	63
055382a	NS 4150 X 1 1/2"F	1	40	40.8	72
004528a	NS 5163 X 2"F	1	28	50.7	100.5
030956a	NS 6075 X 1"F	1	16	59.6	91.5

## Straight elbow



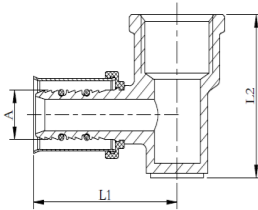
Code	Specif.	pcs/box	pcs/ctn	A	L
056048	NL 1216 X 1216	32	192	11.8	37.7
044920	NL 1620 X 1620	18	144	15.8	41.2
044921	NL 2025 X 2025	10	80	19.8	50.6
044922	NL 2632 X 2632	5	45	25.8	53.6
039904a	NL 3240 X 3240	1	36	31.8	55
039905a	NL 4150 X 4150	1	24	40.8	71
004760a	NL 5163 X 5163	1	8	50.7	105.5
041798a	NL 6075 X 6075	1	6	59.6	111

## Female elbow



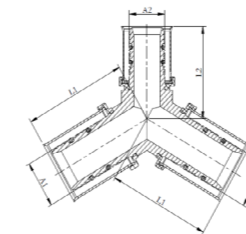
Code	Specif.	pcs/box	pcs/ctn	A	L1	L2
039912a	NL 1216 x 1/2"F	25	200	11.8	41.7	23
039913a	NL 1216 X 3/4"F	15	120	11.8	44.7	24
044923	NL 1620 X 1/2"F	20	160	15.8	41.7	25
038200a	NL 1620 X 3/4"F	15	120	15.8	44.7	26
039916a	NL 2025 X 1/2"F	10	80	19.8	49.6	26
044924	NL 2025 X 3/4"F	10	80	19.8	52.6	27
038203a	NL 2025 X 1"F	9	72	19.8	56.6	28
055265	NL 2632 X 1"F	8	64	25.8	56.6	30.5
038206a	NL 3240 X 1"F	1	25	31.8	68.5	33
030859a	NL 3240 X 1 1/2"F	1	25	31.8	78	38
030860a	NL 4150 X 1"F	1	25	40.8	69.5	37
030861a	NL 4150 X 1 1/2"F	1	20	40.8	78	42
030957a	NL 5163 X 1"F	1	15	50.7	92.5	42

## Wall plated female elbow



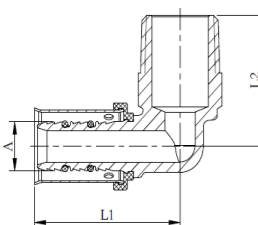
Code	Specif.	pcs/box	pcs/ctn	A	L1	L2
052351	NZL 1216 X 1/2"F	14	112	11.8	42.2	39
052352	NZL 1620 X 1/2"F	12	96	15.8	42.2	43

## Unequal tee Y



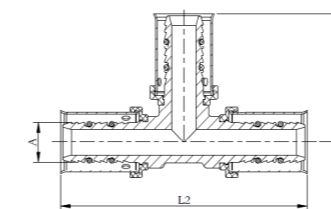
Code	Specif.	pcs/box	pcs/ctn	A1	A2	L1	L2
004916a	NY 2025 X 1620 X 2025	8	64	19.8	15.8	45.6	38.7

## Male elbow



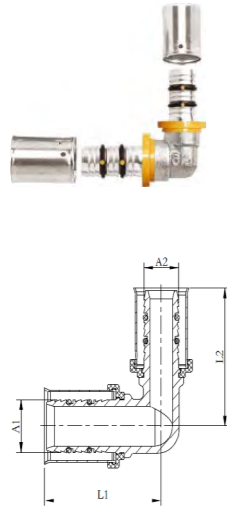
Code	Specif.	pcs/box	pcs/ctn	A	L1	L2
006285a	NL 1216 x 1/2"M	24	192	11.8	39.2	31.5
039035a	NL 1216 X 3/4"M	15	120	11.8	41.7	33.5
049376	NL 1620 X 1/2"M	24	192	15.8	39.2	33.8
006316a	NL 1620 X 3/4"M	15	120	15.8	41.7	35.5
006227a	NL 2025 X 3/4"M	10	80	19.8	49.6	37
006228a	NL 2025 X 1"M	6	96	19.8	53.6	39
006369a	NL 2632 X 1"M	5	60	25.8	53.6	43
030858a	NL 3240 X 1"M	1	40	31.8	71	42

## Equal tee



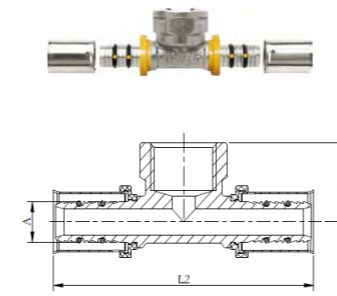
Code	Specif.	pcs/box	pcs/ctn	A	L1	L2
056049	NT 1216 X 1216 X 1216	15	120	11.8	37.7	74.7
044925	NT 1620 X 1620 X 1620	15	120	15.8	40.7	80.7
044926	NT 2025 X 2025 X 2025	4	64	19.8	49.1	96.6
044927	NT 2632 X 2632 X 2632	3	30	25.8	52.1	102.6
039922a	NT 3240 X 3240 X 3240	1	24	31.8	71	139
039923a	NT 4150 X 4150 X 4150	1	18	40.8	75.5	148
038093a	NT 5163 X 5163 X 5163	1	4	50.7	105.5	208.5
038094a	NT 6075 X 6075 X 6075	1	3	59.6	110.5	218.5

## Unequal elbow



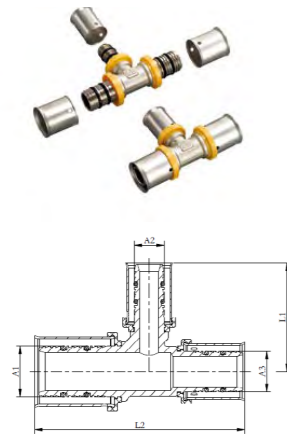
Code	Specif.	pcs/box	pcs/ctn	A1	A2	L1	L2
039906a	NL 1620 X 1216	18	144	15.8	11.8	39.2	41.2
039907a	NL 2025 X 1216	12	96	19.8	11.8	46.2	44.1
039036a	NL 2632 X 1620	10	80	25.8	15.8	48.2	47.6

## Female tee



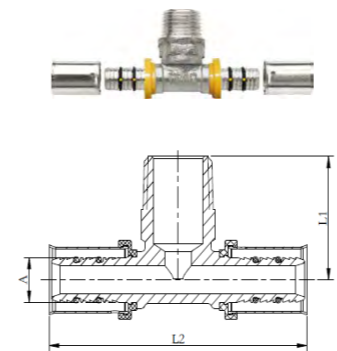
Code	Specif.	pcs/box	pcs/ctn	A	L1	L2
007018a	NT 1216 X 1/2"F X 1216	15	120	11.8	23	83.4
040955a	NT 1620 X 1/2"F X 1620	10	80	15.8	25	83.4
007089a	NT 1620 X 3/4"F X 1620	12	96	15.8	26	89.4
007090a	NT 2025 X 1/2"F X 2025	9	72	19.8	26	99.2
039931a	NT 2025 X 3/4"F X 2025	7	56	19.8	27	105.2
030863a	NT 2025 X 1"F X 2025	5	40	19.8	28	113.2
041801a	NT 2632 X 3/4"F X 2632	5	40	25.8	30	105.2
007092a	NT 2632 X 1"F X 2632	1	36	25.8	31	113.2
038227a	NT 3240 X 3/4"F X 3240	1	25	31.8	31	132
004943a	NT 3240 X 1"F X 3240	1	30	31.8	40	137
030865a	NT 4150 X 3/4"F X 4150	1	22	40.8	36	134
004948a	NT 4150 X 1"F X 4150	1	22	40.8	40	138
026951a	NT 4150 X 1 1/2"F X 4150	1	20	40.8	42	156
042292a	NT 5163 X 3/4"F X 5163	1	10	50.7	43	179
024269a	NT 5163 X 1"F X 5163	1	10	50.7	45	185
041800a	NT 6075 X 3/4"F X 6075	1	8	59.6	48	179
030867a	NT 6075 X 2"F X 6075	1	4	59.6	56	214

## Unequal tee



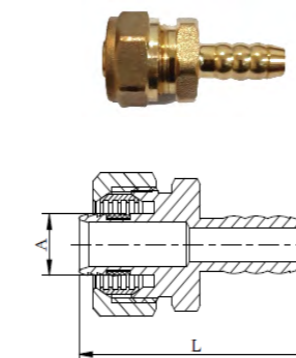
Code	Specif.	pcs/box	pcs/ctn	A1	A2	A3	L1	L2
038115a	NT 1216 X 1620 X 1216	15	120	11.8	15.8	11.8	39.7	79.4
038116a	NT 1620 X 1216 X 1216	15	120	15.8	11.8	11.8	40.7	77.4
056074	NT 1620 X 1216 X 1620	15	120	15.8	11.8	15.8	40.7	77.4
038118a	NT 1620 X 1620 X 1216	15	120	15.8	15.8	11.8	40.7	81.4
006930a	NT 1620 X 2025 X 1620	12	96	15.8	19.8	15.8	47.2	84.4
056051	NT 2025 X 1216 X 2025	15	120	19.8	11.8	19.8	42.2	90.2
006931a	NT 2025 X 1620 X 1620	10	80	19.8	15.8	15.8	42.2	86.8
044928	NT 2025 X 1620 X 2025	8	64	19.8	15.8	19.8	42.2	94.2
038127a	NT 2025 X 2025 X 1620	8	64	19.8	19.8	15.8	50.6	93.3
038128a	NT 2025 X 2632 X 2025	5	40	19.8	25.8	19.8	48.6	107.2
038129a	NT 2632 X 1216 X 2632	6	48	25.8	11.8	25.8	45.2	90.2
044929	NT 2632 X 1620 X 2632	6	48	25.8	15.8	25.8	45.2	94.2
044930	NT 2632 X 2025 X 2632	5	40	25.8	19.8	25.8	51.6	100.2
038141a	NT 4150 X 3240 X 4150	1	10	40.8	31.8	40.8	76	142
038144a	NT 5163 X 3240 X 5163	1	5	50.7	31.8	50.7	82.5	186
038145a	NT 5163 X 4150 X 5163	1	5	50.7	40.8	50.7	82.5	196
038146a	NT 6075 X 3240 X 6075	1	4	59.6	31.8	59.6	87	190
038147a	NT 6075 X 4150 X 6075	1	4	59.6	40.8	59.6	88	199
038148a	NT 6075 X 5163 X 6075	1	4	56.9	50.7	59.6	111.5	210

## Male tee



Code	Specif.	pcs/box	pcs/ctn	A	L1	L2
007139a	NT 1216 X 1/2M X 1216	18	144	11.8	32.5	78.4
007088a	NT 1620 X 1/2M X 1620	14	112	15.8	34.5	78.4

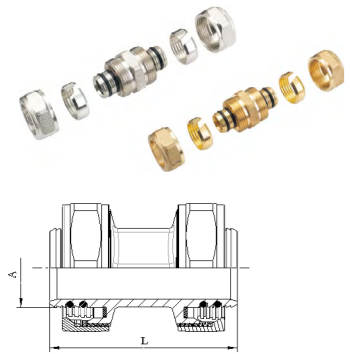
## Gas connector



Code	Specif.	pcs/box	pcs/ctn	A	L
	GFS 1216 xØ 10(GAS CONNECTOR)	1	288	11.8	52

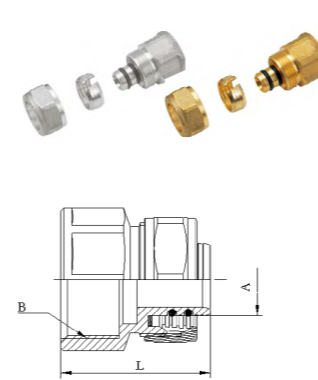
## Compression Fitting-F1

### Straight coupling



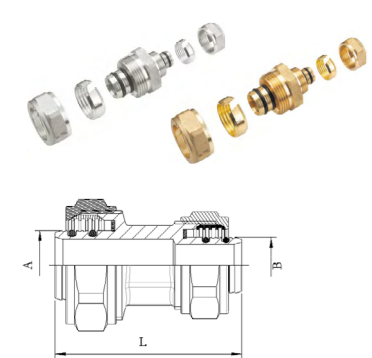
Code	Specif.	pcs/box	A	L
041516	S 1216 X 1216	24	11.8	52.40
041517	S 1620 X 1620	20	15.8	52.40
041518	S 2025 X 2025	14	19.8	54.00
041519	S 2632 X 2632	6	25.8	59.50

### Female straight coupling



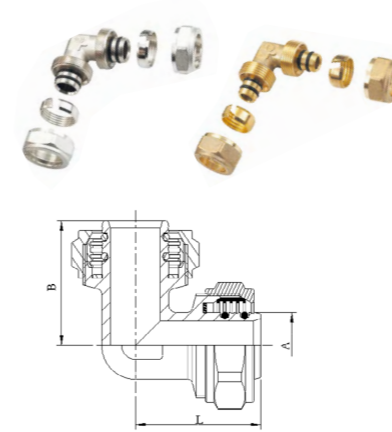
Code	Specif.	pcs/box	A	B	L
041540	S 1216 X 1/2"F	30	11.8	NPT 1/2	37
041541	S 1620 X 1/2"F	30	15.8	NPT 1/2	35.5

### Reducing coupling



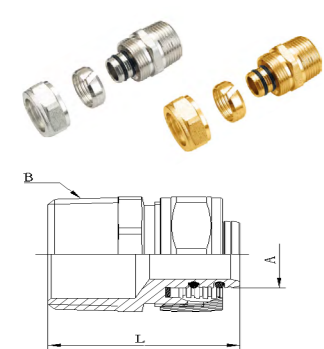
Code	Specif.	pcs/box	A	B	L
041520	S 1620 X 1216	24	15.8	11.8	52.00
041521	S 2025 X 1216	15	19.8	11.8	49.50
041522	S 2025 X 1620	15	18.8	15.8	53.00

### Elbow



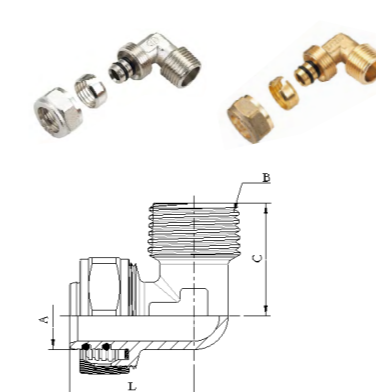
Code	Specif.	pcs/box	A	B	L
041527	L 1216 X 1216	15	11.8	31.5	31.5
041528	L 1620 X 1620	15	15.8	34	34
041529	L 2025 X 2025	10	19.8	37	37
041530	L 2632 X 2632	4	25.8	41	41

### Male straight coupling



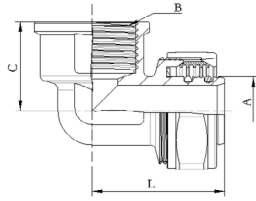
Code	Specif.	pcs/box	A	B	L
041535	S 1216 X 1/2"	36	11.8	NPT 1/2	41
041536	S 1620 X 1/2"	24	15.8	NPT 1/2	41
041538	S 2025 X 3/4"	16	19.8	NPT 3/4	43
041539	S 2025 X 1"	16	19.8	NPT 1	44

### Male elbow



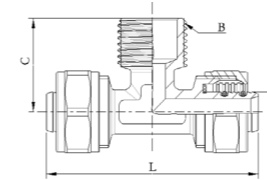
Code	Specif.	pcs/box	A	B	C	L
041546	L 1216 X 1/2"	20	11.8	NPT 1/2	27.5	32
041547	L 1620 X 1/2"	16	15.8	NPT 1/2	29	32.5
041549	L 2025 X 3/4"	12	19.8	NPT 3/4	33	36

## Female elbow



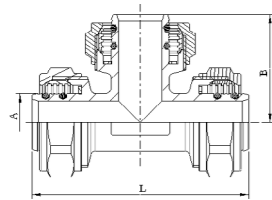
Code	Specif.	pcs/box	A	B	C	L
041550	L 1216 X 1/2"F	20	11.8	NPT 1/2	22.00	33.50
041551	L 1620 X 1/2"F	15	15.8	NPT 1/2	23.00	36.00
041554	L 2025 X 3/4"F	12	19.8	NPT 3/4	26.00	38.50
041555	L 2632 X 1"F	5	25.8	NPT 1	32.00	42.50

## Male tee



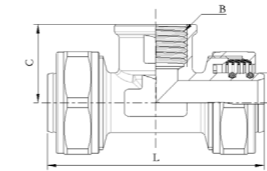
Code	Specif.	pcs/box	A	B	C	L
036890	T 1216 X 1/2 X 1216	15	11.8	NPT 1/2	27.5	64
036891	T 1620 X 1/2 X 1620	10	15.8	NPT 1/2	29.5	68
036892	T 2025 X 1/2 X 2025	4	19.8	NPT 1/2	33	68

## Tee



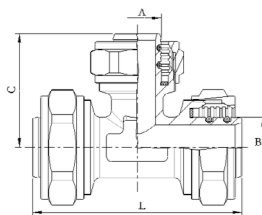
Code	Specif.	pcs/box	A	B	L
041531	T 1216 X 1216 X 1216	12	11.8	31.5	63
041532	T 1620 X 1620 X 1620	4	15.8	34	68
041533	T 2025 X 2025 X 2025	4	19.8	37	74
041534	T 2632 X 2630 X 2632	4	25.8	41	82

## Female tee



Code	Specif.	pcs/box	A	B	C	L
041556	T 1216 X 1/2" F X 1216	15	11.8	22	NPT 1/2	71
041557	T 1620 X 1/2" F X 1620	4	15.8	23	NPT 1/2	72

## Reducing tee

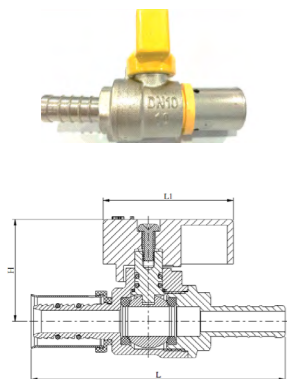


Code	Specif.	pcs/box	A	B	C	L
036818	T 1620 X 1216 X 1620	10	11.8	15.8	37.00	64.50
036824	T 2025 X 1620 X 2025	7	15.8	19.8	37.00	68.50



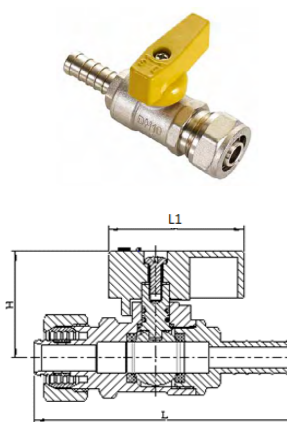
# Gas Valve

502 Brass gas valve



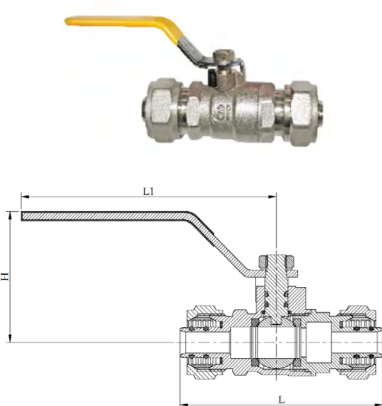
Code	Specif.	pcs/box	pcs/ctn	H	L	L1
021552a	F5-Q1216 x $\Phi$ 10 - DN 10 24	144		34.5	83.7	43

502 Brass gas valve



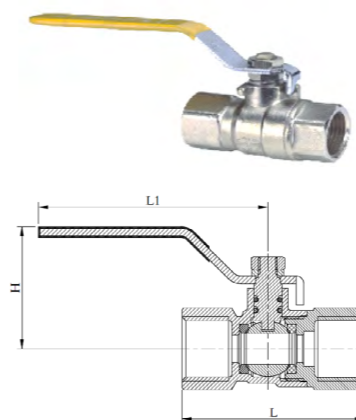
Code	Specif.	pcs/box	pcs/ctn	H	L	L1
013549a	S 1216 x $\Phi$ 10 - DN 10	24	144	35	81.5	43

Gas valve EB-NN-0100



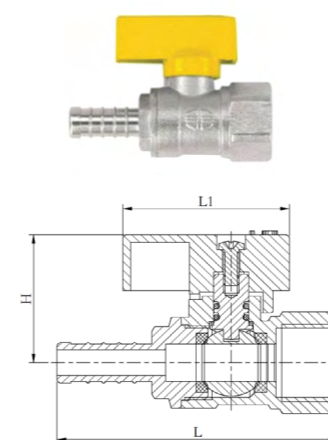
Code	Specif.	pcs/box	pcs/ctn	H	L	L1
023626a	F1-Q 1216 x 1216 - DN 12C	16	96	50	79	99.5

501 Brass gas valve



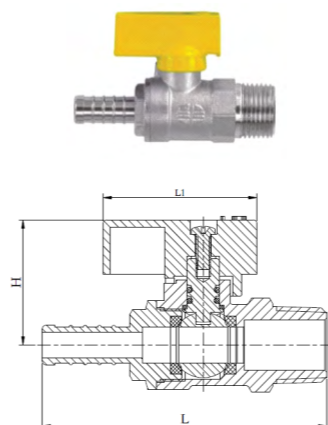
Code	Specif.	pcs/box	pcs/ctn	H	L	L1
041988a	GDN 15	20	120	40	58.5	73.5
041989a	GDN 20	12	72	45	65.5	84
041990a	GDN 25	10	60	54	72.5	100
041991a	GDN 32	6	36	59	83.5	115.5
041992a	GDN 40	4	24	62	90	115.5
041993a	GDN 50	2	12	86	105	142

502 Brass gas valve



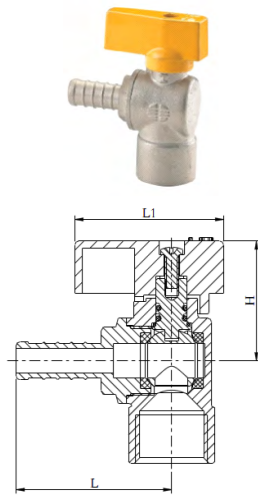
Code	Specif.	pcs/box	pcs/ctn	H	L	L1
042213a	S1/2"F x $\Phi$ 10 - DN10	24	144	34.5	72.5	43

502 Brass gas valve



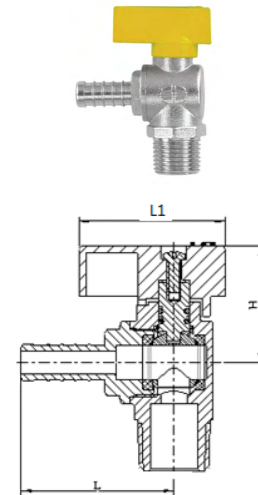
Code	Specif.	pcs/box	pcs/ctn	H	L	L1
013566a	S1/2"M x $\Phi$ 10 - DN10	24	144	34.5	79.5	43

## 502 Brass gas valve



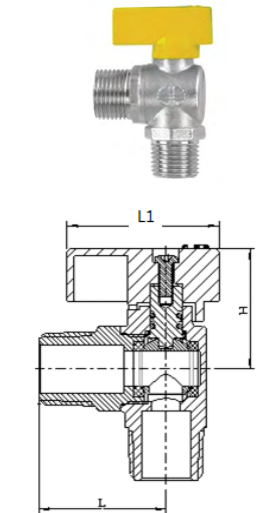
Code	Specif.	pcs/box	pcs/ctn	H	L	L1
013551a	L 1/2"F x $\phi$ 10 - DN10	1	144	34.5	45	43

## 502 Brass gas valve



Code	Specif.	pcs/box	pcs/ctn	H	L	L1
013565a	L 1/2"M x $\phi$ 10 - DN10	1	144	34.5	45	43

## 502 Brass gas valve



Code	Specif.	pcs/box	pcs/ctn	H	L	L1
030722a	L 1/2"M x 1/2"M - DN 10	1	144	34.5	36	43

## Accessories

### Aluminium socket (AS)



Code	Specif.	pcs/box	pcs/ctn
015463	KL-1216	160	12000

### Plastic socket (KS)



Code	Specif.	pcs/box	pcs/ctn
015429	KS-1216	130	6500
015430	KS-1620	80	4000
015431	KS-2025	40	2000
015432	KS-2632	20	1000

### Slide socket



Code	Specif.	pcs/box	pcs/ctn
015405	KH 3240	1	96
015406	KH 4150	1	72
015407	KH 5163	1	
015408	KH 6075	1	40

### Rubber o-ring (NBR)



Code	Specif.	pcs/box	pcs/ctn
020894	Rubber O-Ring F5-1216 (NBR)	1	40000
020896	Rubber O-Ring F5-1620 (NBR)	1	16000
020897	Rubber O-Ring F5-2025 (NBR)	1	15000
020898	Rubber O-Ring F5-2632 (NBR)	1	2000
020899	Rubber O-Ring F5-3240 (NBR)	1	3000
020900	Rubber O-Ring F5-4150 (NBR)	1	1000
020901	Rubber O-Ring F5-5163 (NBR)	1	1000
021064	Rubber O-Ring F5-6075 (NBR)	1	

## Yellow buffle



Code	Specif.	pcs/box	pcs/ctn
007516	Yellow Buffle F5-1620	1	2000
007517	Yellow Buffle F5-2025	1	
007519	Yellow Buffle F5-3240	1	500
007520	Yellow Buffle F5-4150	1	360
007521	Yellow Buffle F5-5163	1	200
007530	Yellow Buffle F5-6075	1	120

## Stainless sleeves for press fitting



Code	Specif.	pcs/box	pcs/ctn
020409	1216	1	2400
020414	3240	1	560
020415	4150	1	300
020416	5163	1	132

## Tools

### Internal bending spring



Code	Specif.	pcs/box	pcs/ctn
015658			
015661	1216	25	150
015663	2025	9	54
015664			

### External bending spring



Code	Specif.	pcs/box	pcs/ctn
015667	1216	1 / 6	6 / 36
015669	1620	4	24
015670	2025	2	12
015672	2632	1	6

## Multilayer pipe cutter



Code	Specif.	pcs/box	pcs/ctn
044118	1216-2632	1	50

## Plastic reamer



Code	Specif.	pcs/box	pcs/ctn
018270	ZYD 1216-1620-2025	10	180
018272	ZYD 1620-2025-2632	10	180

## T-reamer



Code	Specif.	pcs/box	pcs/ctn
015678	1216	15	144
015681	1620	15	120
015682	2025	1	120
015683	2632	1	90
015684	3240	1	60
015685	4150	1	48
015686	5163	1	30
015687	6075	1	30

## Lengthened T-reamer



Code	Specif.	pcs/box	pcs/ctn
015688	L T Reamer 3240	10	60
015689	L T Reamer 4150	8	48
015690	L T Reamer 5163	1	24
015691	L T Reamer 6075	1	18

## Length manual pressing clamp / jaw ring



Code	Specif.	pcs/box	pcs/ctn
015743	Jaw Ring YYQB 1216	12	96
015745	Jaw Ring YYQB 1620	12	96
015746	Jaw Ring YYQB 2025	12	96
015748	Jaw Ring YYQB 2632	12	96
015749	Jaw Ring YYQB 3240	5	40
015750	Jaw Ring YYQB 4150	5	40

Module for pressing lamp for SYQ 14-20



Code	Specif.	pcs/box	pcs/ctn
015739	SYQ 14-20 1216	15	224
015741	SYQ 14-20 1620	1	224

Jaw / clamp head for integral and seperated hydraulic tool



Code	Specif.	pcs/box	pcs/ctn
015765	Jaws YYQ 1014-2632	1	15
015766	Jaws YYQ 2025-4150	1	10
015767	Jaws YYQ 5163-6075	1	10

Manual pressing clamp



Code	Specif.	pcs/box	pcs/ctn
015724	SYQ 14-20	1	7
015725	SYQ 14-32 A/B	1	5

Separated hydraulic tool



Code	Specif.	pcs/box	pcs/ctn
015731	3240-6075	1	1



# INSTALLATION



## Step 1: Pipe cutting

Cut the pipe vertically and precisely with RIIFO pipe cutter.



## Step 2 Pipe beveling and calibration

Use RIIFO reamer to bevel and calibrate the pipe. Insert the reamer completely inside the pipe. Rotate the reamer in one direction for several times to form a round pipe end.



## Step 3: Pipe inserting into fitting

Insert the pipe into the sleeve, until it reaches the plastic gasket. Check it through the inspection holes on the sleeve. It is important to ensure the pipe is completely inserted into the fitting.



## Step 4: Pressing

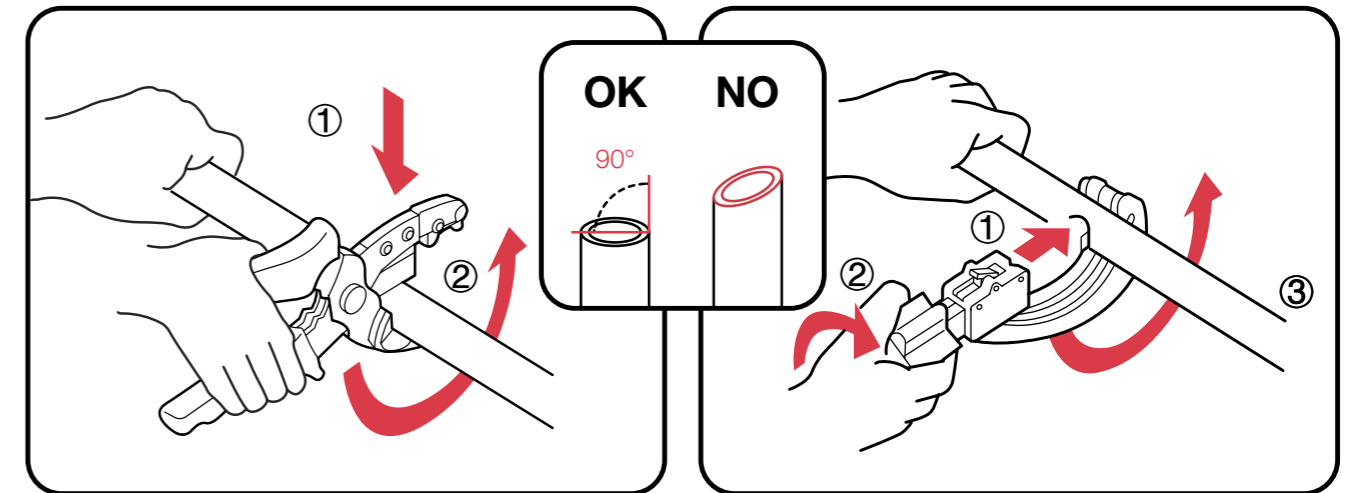
Put the fitting under the right position of the jaw. Press the fitting until the jaw is fully closed. The press jaw must be placed close to the plastic gasket.



## Step 5: Checking

Checking the jaw when the pressing procedure is done.

# ATTENTION



- ❶ Choose the right size fitting according to the pipe and make sure accessories completed and without any damage before installation.
- ❷ Make sure the cross section is smooth and not be seriously inclined (as shown in the figure), severe incline will push the O-ring seal and cause the leakage.
- ❸ When beveling the pipe, make sure no burrs in the pipe.
- ❹ Insert the pipe horizontally with fitting, incline and violent insert are not allowed.
- ❺ Arrange pressure test after installing the pipe system, the system installation is qualified if it keeps the pressure for a while and no any leakage.
- ❻ Anti-UV Measure  
When placing pipes in areas exposed to UV light, it would be better to cover the pipe with UV-resistant materials, such as RIIFO anti-UV corrugated pipes or PVC casing, etc. Synthetic fabrics like nylon and polyester do a good job of blocking UV. Do not install directly under UV light without protection.
- ❼ Buried laying protection  
When buried laying of the multi-layer pipes, it needs to be protected by a corrugated pipe.

# WARRANTY

RIIFO offers a maximum guarantee of 25 years for the Gas products. For detailed documentations of product warranty, please contact us.

